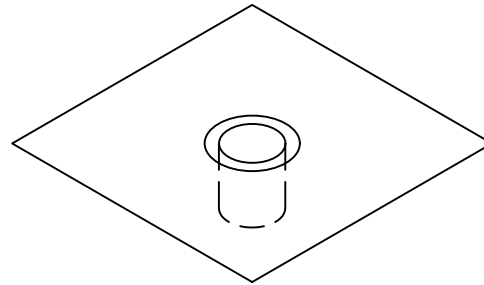
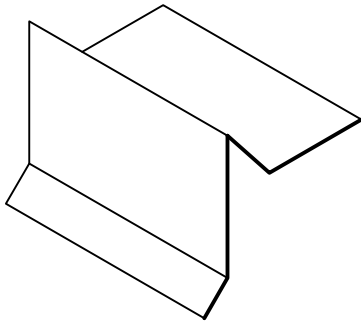


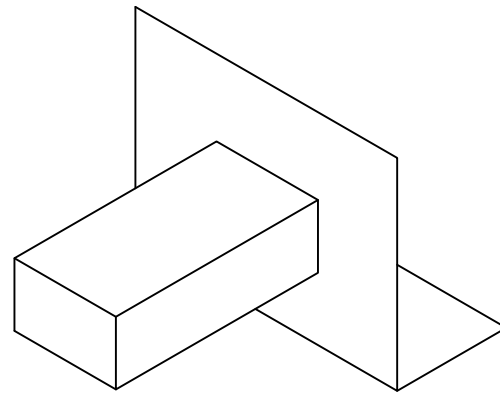
COMBO-DIATO



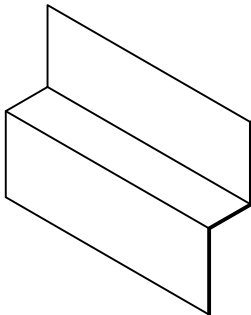
DECK DRAIN
NO HUB CONNECT



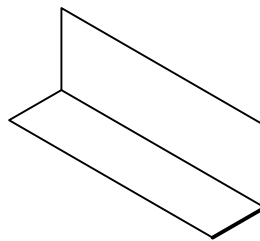
DRIP EDGE WITH
 $\frac{1}{8}$ "-3'16" RISE



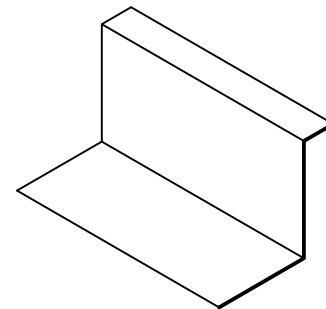
SCUPPER



'Z' BAR



'L' METAL



PITCH POCKET
OR WATER TABLE

NOT TO SCALE

Rev. 5-31-17



8550 West Desert Inn Road
Suite 102-451
Las Vegas, NV 89117
P | 1-866-977-8833
F | 1-800-804-0182
www.polytuffus.com
sales@polytuffus.com

DETAIL NAME & DESCRIPTION:
**Flexideck
Accessories**

DESIGNED
B. CLANTON
DRAWN
M. HELMANDOTTAR
DATE
5/29/17

SHEET
1 of 1
SCALE
N.T.S
DETAIL NO.
ACC